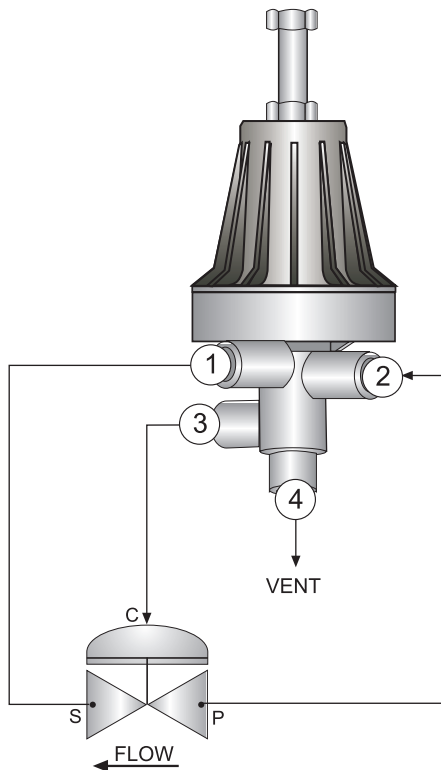
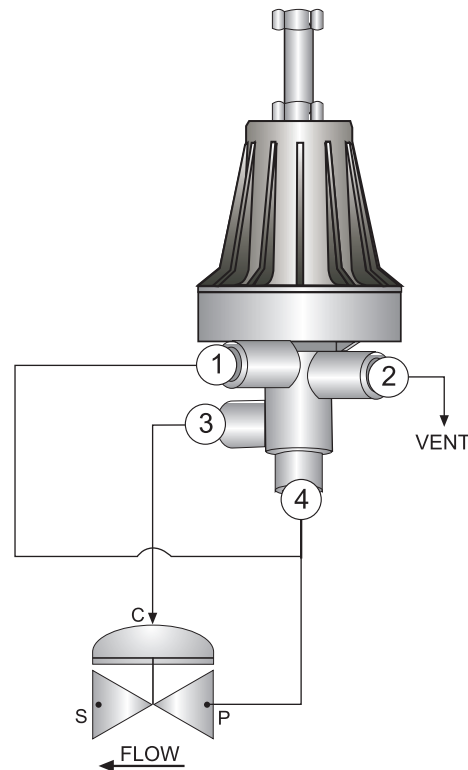


3 way pressure regulation pilot valve

Pressure Reducing



Pressure Sustaining



Technical Data :

Standard regulation spring: 0.5-6.0 bar/7.0-90.0 psi

Maximum operating pressure: 10 bar / 150 psi

End connections: Female Threaded 1/8" NPT/BSP